

Kodak Mercury T-HD Plate Processors

Technical Specifications

	Mercury T-HD 850	Mercury T-HD 1250	Mercury T-HD 1550
Accredited digital plates	Kodak Sword Ultra Thermal Plates, Kodak Electra XD Thermal Plates, Kodak Electra Excel HRL/HRO Thermal Plates, and Kodak DITP Gold Thermal Plates		
Suitability	Recommended for processing over 10,000 m ² per year		
Maximum plate width	850 mm	1250 mm	1550 mm
Minimum plate length, with centre rollers	320 mm	320 mm	320 mm
Plate gauge	0.15 - 0.50 mm	0.15 - 0.50 mm	0.15 - 0.50 mm
Adjustable temperature, developer	15°C - 32°C	15°C - 32°C	15°C - 32°C
Adjustable temperature, dryer	0 - 100%	0 - 100%	0 - 100%
Tank volume, pre-wash	N/A	N/A	N/A
Tank volume, developer, with centre rollers	43 litres	65 litres	80 litres
Tank volume, wash	33 litres	48 litres	60 litres
Tank volume, gum	5 litres	6.5 litres	8 litres
Water supply	Tap water, min 1.4 bar	Tap water, min 1.4 bar	Tap water, min 1.4 bar
Pre-wash/wash	Tap water or recirculation	Tap water or recirculation	Tap water or recirculation
Water consumption	15 l/min	20 l/min	25 l/min
Processing speed	60 - 200 cm/min	60 - 200 cm/min	60 - 200 cm/min
Level control	Yes	Yes	Yes
Power	50 - 60Hz, 200 - 230V, 1/2-phase. Consumption < 3.0 kWh at 230V		
Approvals	Carries CE Marking and is ETL Listed for the United States and Canada		
Weight, uncrated	585 kg	735 kg	795 kg
Weight, crated	635 kg	785 kg	845 kg

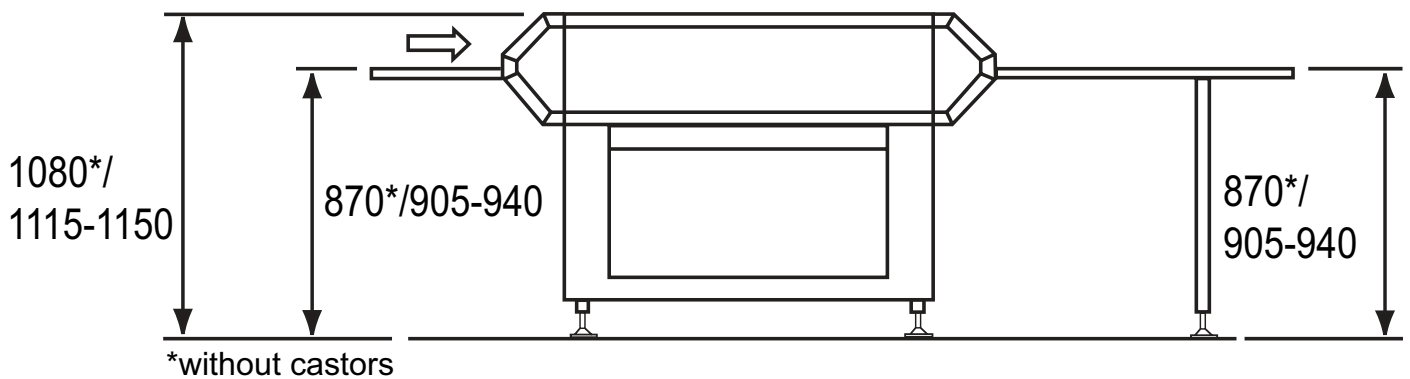
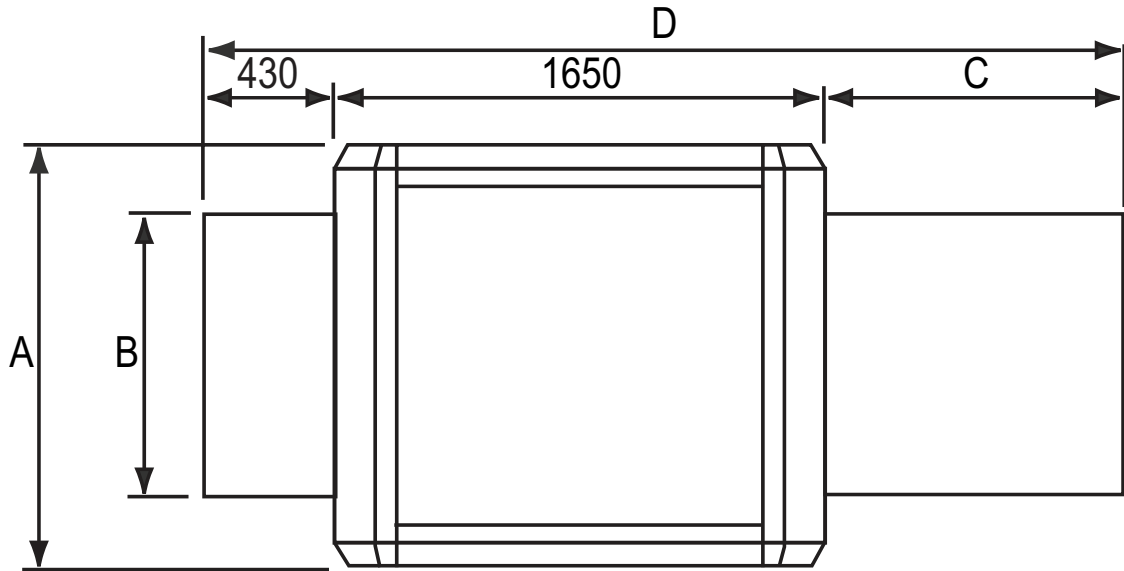
VLF option available. Details upon request.



Kodak
Mercury
T-HD Plate Processors

System Schematics

Dimensions (mm)	A	B	C	D
Mercury T-HD 850	1423	950	990	3070
Mercury T-HD 1250	1823	1350	1440	3520
Mercury T-HD 1550	2123	1650	1890	3970



Infeed table and exit table C are options and need to be ordered separately.

To learn more about solutions from Kodak:

Visit graphics.kodak.com

Produced using **Kodak** Technology.

Eastman Kodak Company
343 State Street
Rochester, NY 14650 USA

©Kodak, 2009. Kodak, Electra, Electra Excel, Mercury and Sword Ultra are trademarks of Kodak.

Subject to technical change without notice.

W.PC.054.0409.en.05